

BASE STEEL 2-CAR CARPORT/GAZEBO

The ChikoUSA Base Steel 2-Car Carport / Gazebo is the most cost effective solar canopy solution in the market today! This elegant structure is designed with a beam and column configuration resulting in superior strength. Ease and speed of install are two important design benefits. This structure can accommodate a variety of panel sizes and configurations. The steel coating of Zinc-Aluminum-Magnesium (Zn-Al-Mg) or ZAM provides the best In class protection while delivering superior corrosion resistance.

PRODUCT LINE

Item	Product Name
CK-QLCP-2CB-STEEL	Base Steel 2-Car Carport/Gazebo

TECHNICAL DATA

Main Material	: S350 Steel Zinc Aluminum Magnesium (Zn-Al-Mg) Coated
Wind Velocity	: Up to 100MPH
Snow Load	: Up to 15 PSF
Tilt angle	: 5 Degrees
Module Orientation	: Landscape & Portrait
Foundation	: 3 Footer Options
Waterproof	: Standard
Module Type	: 60, 72 Cell & Large Format

ADVANTAGES

- Beautiful
- Easy installation
- Zinc Aluminum Magnesium (Zn-Al-Mg) Coated
- Anti-corrosion and anti-rust

FOOTER OPTIONS

Pier
Spread
Grade Beam

WARRANTY



SERVICE LIFE



COMPONENT LIST

Material	QTY
Column	04
M-Rail	07
C-Channel	06
Column Base	04

UL 2703



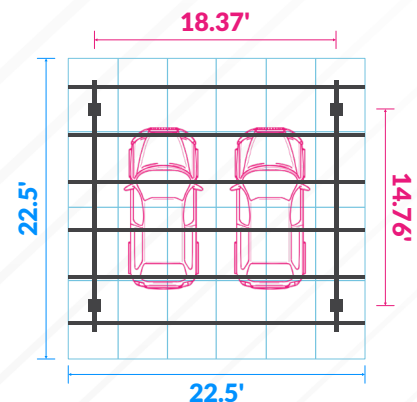
Black



Silver



Side Profile



Overhead

